

POWER HEADREST



POWER RECLINE



USB CHARGER



240V CHARGER



LIGHTING



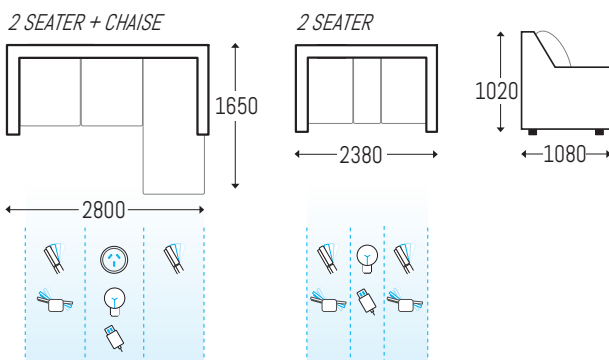
OPTIONS AND MEASUREMENTS

2 Seater	2380L X 1080D X 1020H
2 Seater + Chaise	2800L X 1650D X 1020H



SCAN TO LEARN MORE
ABOUT SMART COMFORT

OR VISIT BITLY/SMARTCOMFORTVID



LED lit Cup Holder
and hidden arm
storage



Charge Station
with USB & 240V



Convenient LED
Reading Lights



AVAILABLE IN CANTARA SUEDE FABRIC



GRANITE



PUTTY

FEATURES & BENEFITS

- Contemporary design with the latest Smart Comfort technology.
- New Zealand Registered Design.
- Power Headrest and Power Recline for ultimate comfort. The chaise side has a Power Headrest.
- The 2 Seater + Chaise middle seat has a drop down table with charge station and LED reading lights.
- The 2 Seater has a centre storage console with USB charger and LED reading lights.
- Generous full width seats with plenty of room to spread out.
- Covered in Cantara Suede which is a luxurious plush suede.
- LED lit cup holders with 7 colour options.
- Hold down the light button to change colour.
- Latitude Range.



ZIG ZAG
SPRINGS



COMMERCIAL
GRADE FABRIC



SUSTAINABLY
HARVESTED WOOD



5 YEAR
STRUCTURAL
WARRANTY



3 YEAR
FOAM
WARRANTY



3 YEAR
MECHANICAL
WARRANTY



2 YEAR
ELECTRICAL
WARRANTY



1 YEAR
FABRIC
WARRANTY